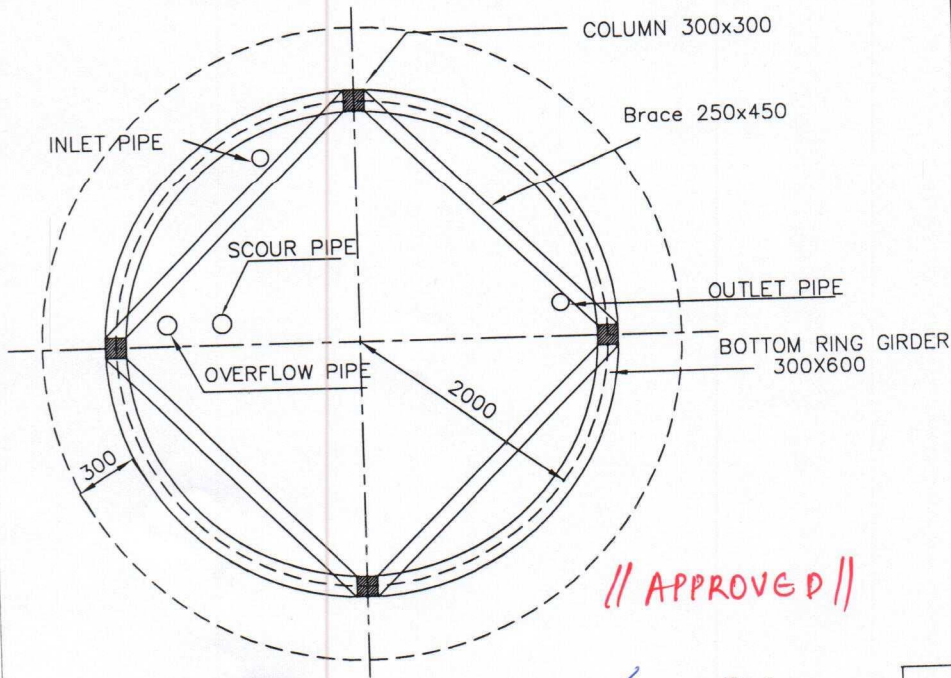


SECTIONAL ELEVATION



PLAN

**NOTE : THIS DRAWING
SUPERSEDES THE EARLIER
APPROVED DRAWING FOR
30KL OHSR ON
22.04.2017**

NOTES

1. Grade of Concrete : M30
2. Grade of Steel : Fe500
3. Clear minimum cover
 - a) Water face:
 - Side walls : 45MM
 - Top & Bottom slabs : 45MM
 - Beams : 45MM
 - b) Away from Water face:
 - Side walls : 30MM
 - Top & Bottom slabs : 30MM
 - Beams : 30MM
 - c) Columns : 40MM
 - d) Footings : 50MM
4. All dimension are in 'mm' unless specified.
5. The steel should not be overlapped at the junction points
6. Not more than 1/2 of the bars should be curtailed at a given section
7. Suitable PVC pipe casing has to be Provided in the staircase column up to the top, for installation of lightning Arrester.
8. Seismic Zone : II
9. Wind speed : 44 m/s (Wind pressure: 1.6 kN/m²)
10. free board: 0.15m
11. Dead storage : 0.15m
12. Total staging is 12m and has to be adjusted in last staging
13. Depth upto Raft Beam top: 1.5m
14. For detailing of reinforcement IS SP-34 shall be followed .

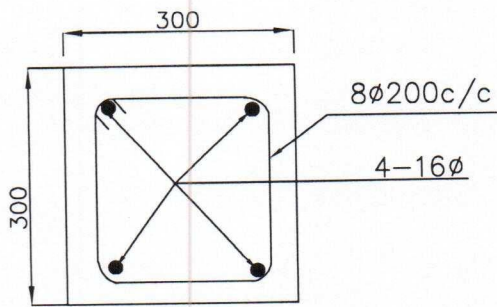
Government of Telangana

Rural Water Supply & Sanitation
Department

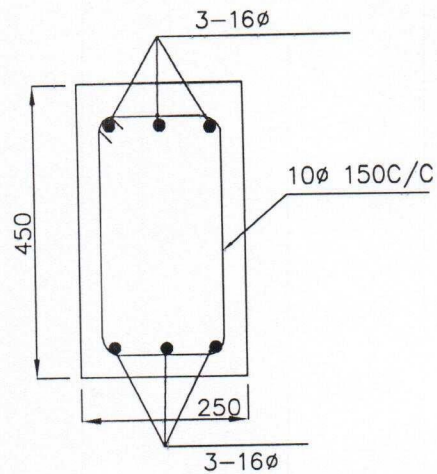
Construction of 30 KL capacity
OHSR/OHBR 12m staging column type

Scale: Not to scale sheet: 1 of 8 REV: 01

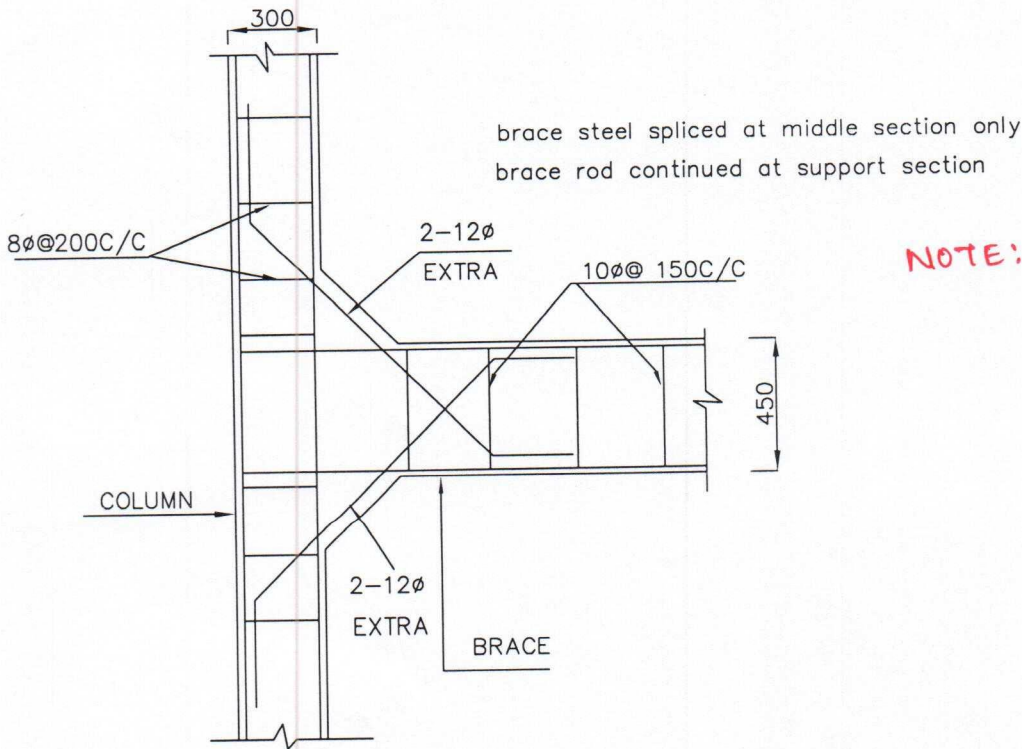
Handwritten signatures and dates:
 CE-I 16/5
 CE-II 14/5
 CE-III 16/5
 TDWSP, Hyderabad
 16/5/17
 M. 16/5/17
 SE



SECTION OF COLUMN



SECTION OF BRACE



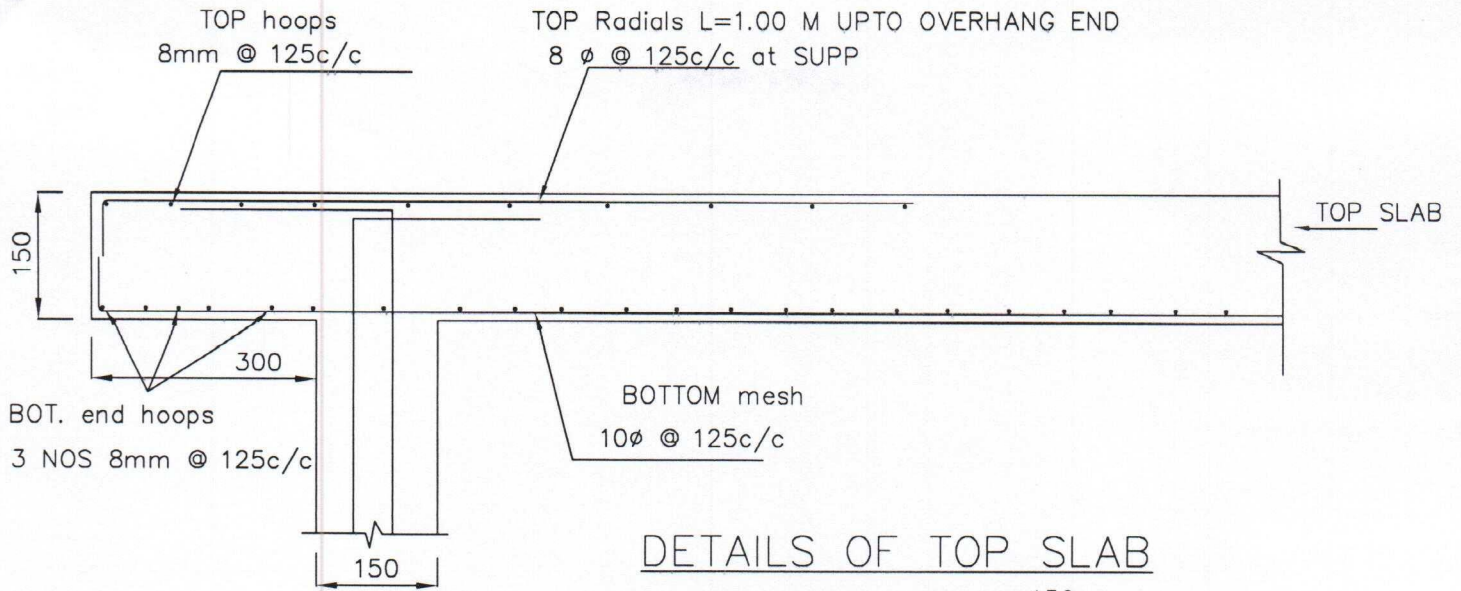
COLUMN BRACE JUNCTION

NOTE: THIS DRAWING
SUPERSEDES THE EARLIER
APPROVED DRAWING FOR
30KL OHSR ON
22.04.2017

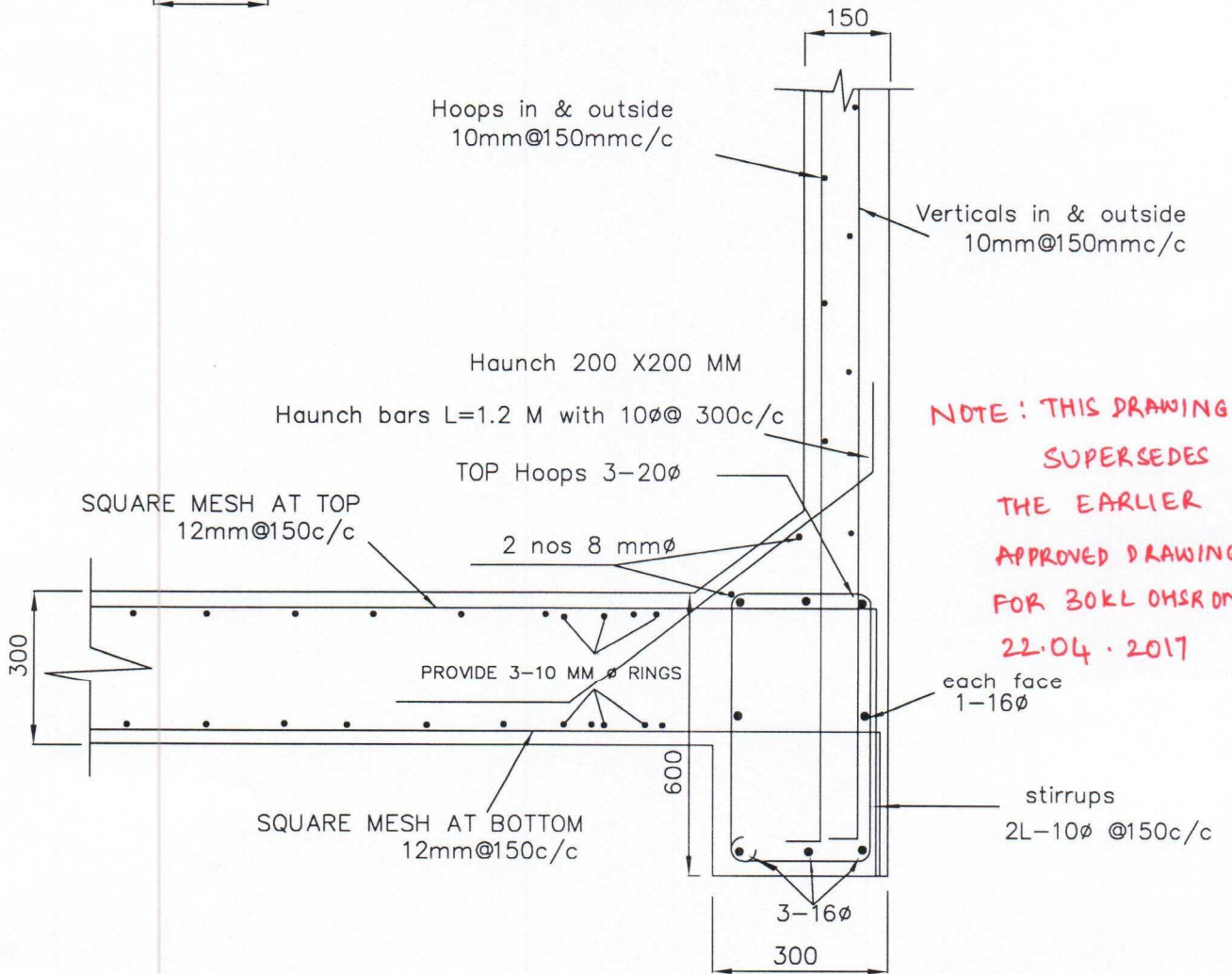
// APPROVED //

CE-I CE-II CE-III
 TDWSP, Hyderabad
 16/5 14/5 16/5 16/5/17 M 16/5/17 SE

Government of Telangana		
Rural Water Supply & Sanitation Department		
Construction of 30 KL capacity OHSR/OHBR 12m staging column type		
Scale: Not to scale	sheet: 2 of 8	REV: 01



DETAILS OF TOP SLAB

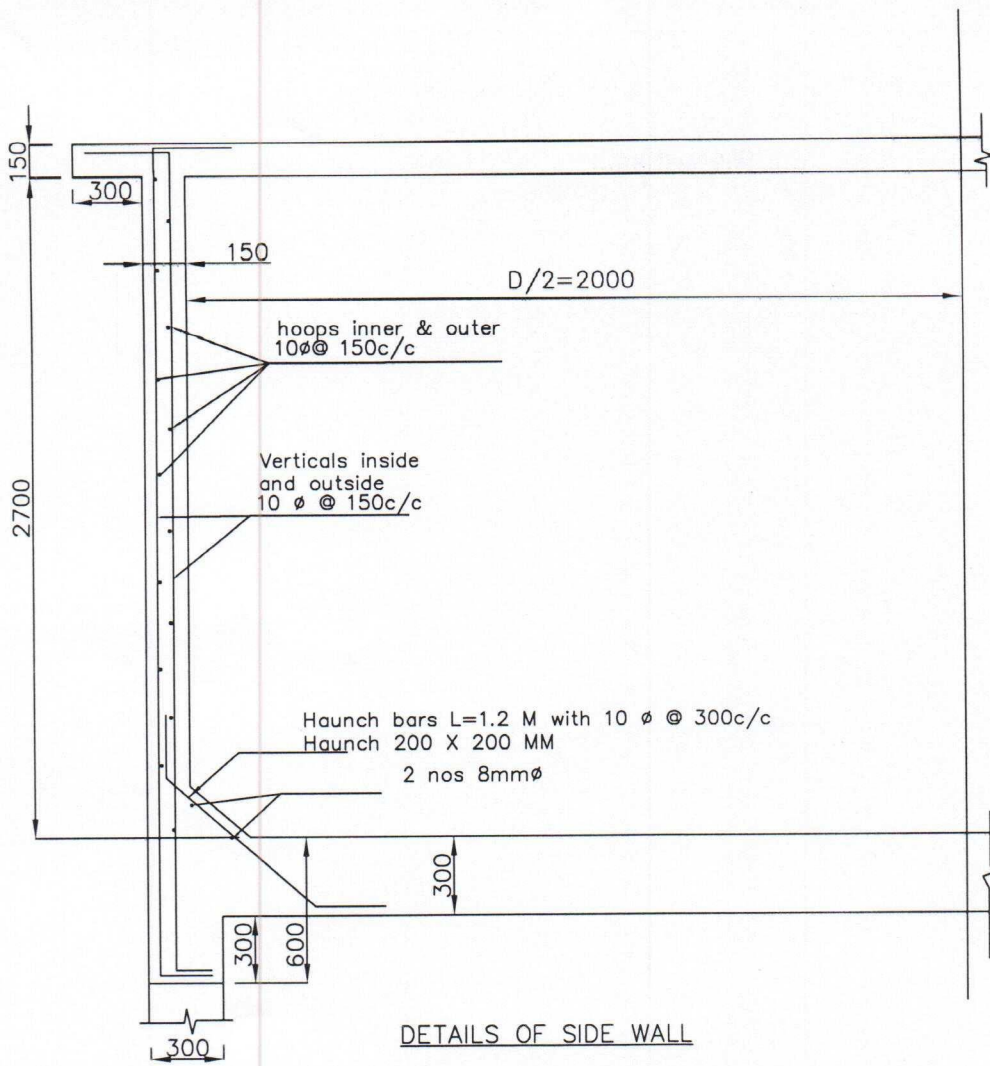


BOTTOM RING BEAM & BOTTOM SLAB

|| APPROVED ||

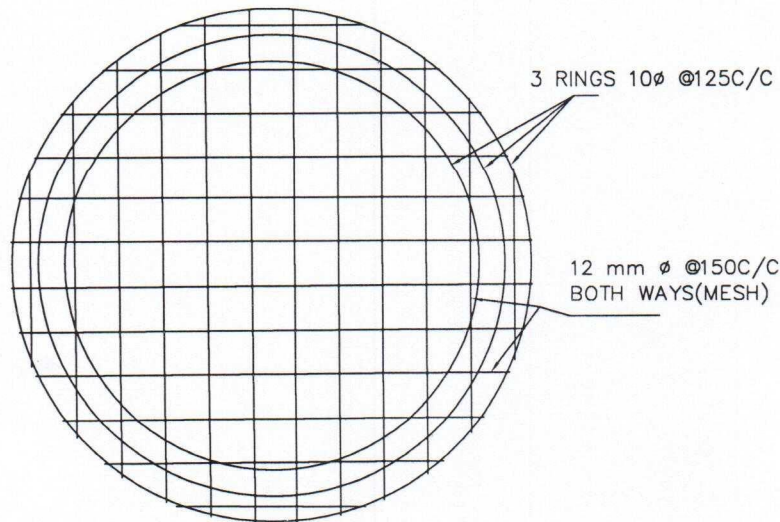
CE-I CE-II CE-III
 TDWSP, Hyderabad
 16/5 16/5 16/5
 16/5 16/5 16/5

Government of Telangana		
Rural Water Supply & Sanitation Department		
Construction of 30 KL capacity OHSR/OHBR 12m staging column type		
Scale: Not to scale	sheet: 3 of 8	REV : 01



DETAILS OF SIDE WALL

NOTE: THIS DRAWING
 SUPERSEDES THE
 EARLIER APPROVED
 DRAWING FOR 30KL
 OHSR ON
 22.04.2017

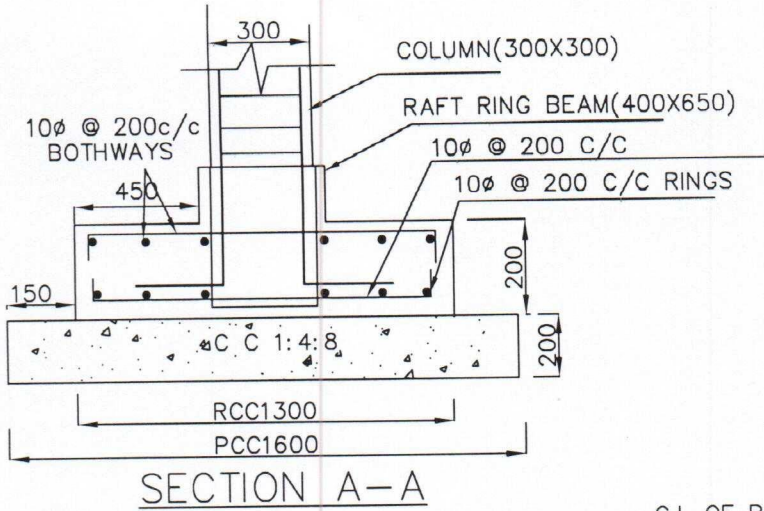


REINFORCEMENT PLAN OF BOTTOM SLAB(FOR TOP AND BOTTOM MATS)

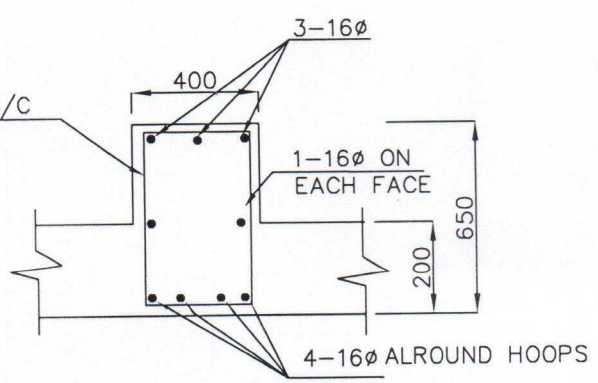
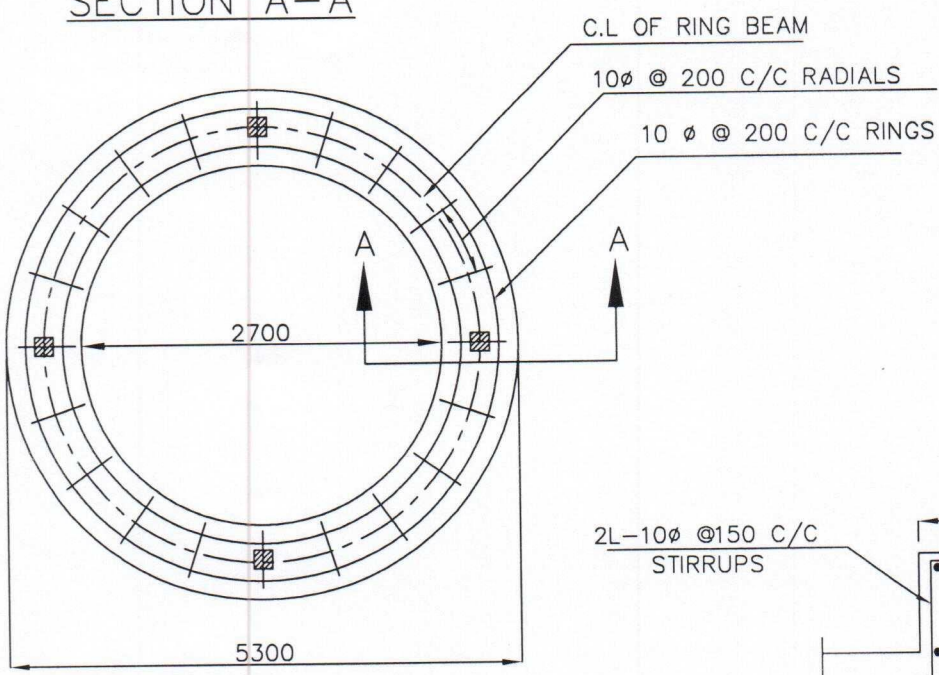
// APPROVED //

CE-I CE-II CE-III
 TDWSP, Hyderabad
 16/5 16/5 16/5
 M. 16/5/16
 EE

Government of Telangana		
Rural Water Supply & Sanitation Department		
Construction of 30 KL capacity OHSR/OHBR 12m staging column type		
Scale: Not to scale	sheet: 4 of 8	REV: 01



NOTE: THIS DRAWING
 SUPERSEDES THE
 EARLIER APPROVED
 DRAWING FOR 30KL
 OHSR ON 22.04.2017



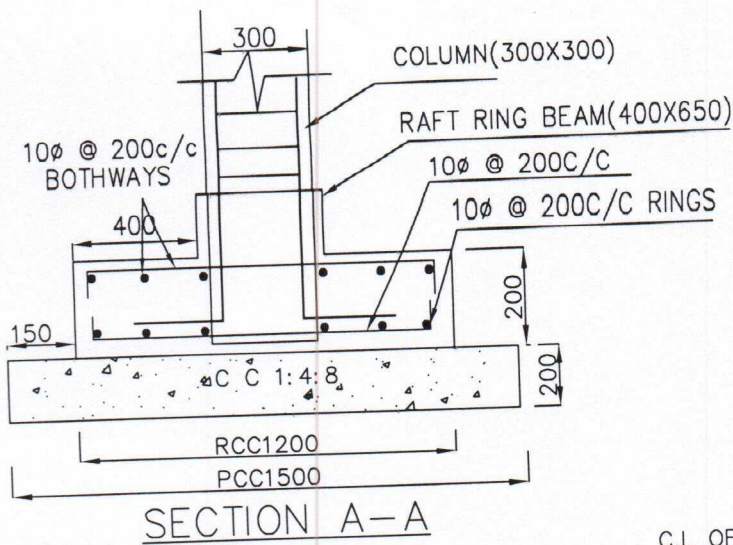
BOTTOM REINFORCEMENT OF RING FOUNDATION
SBC -15t/m²

SECTION OF RING RAFT BEAM

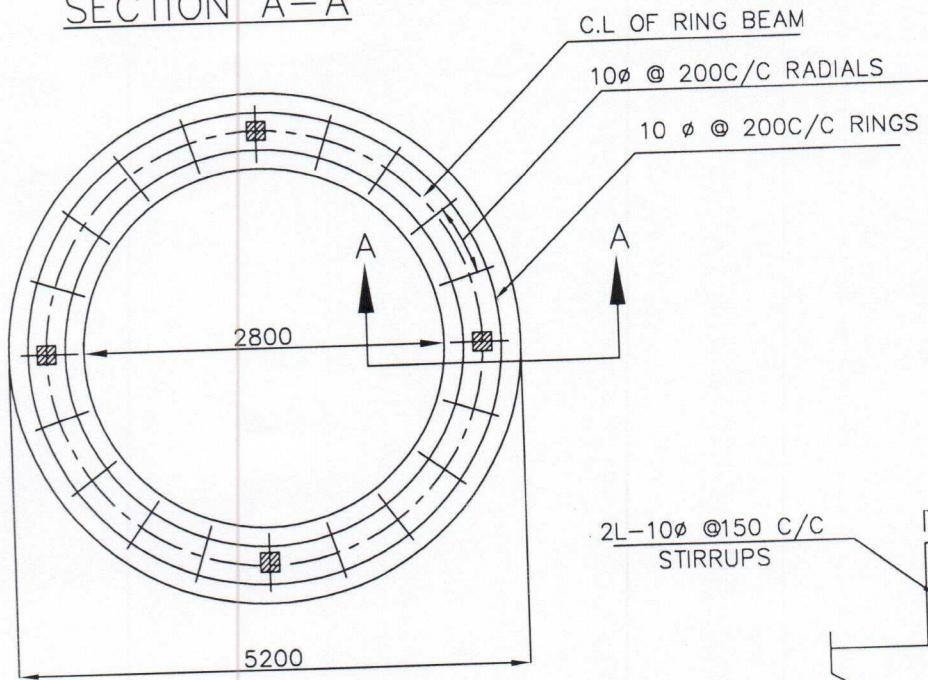
|| APPROVED ||

CE-I
 CE-II
 CE-III
 TPWSP, Hyderabad
 16/5
 16/5
 16/5
 16/5/13
 M 16/5/12
 EE

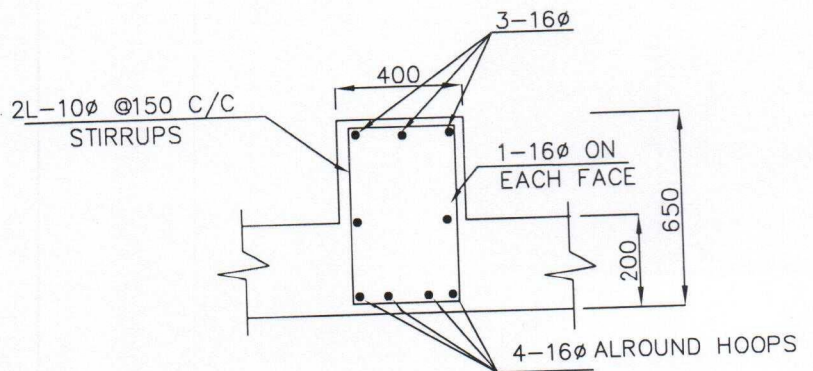
Government of Telangana		
Rural Water Supply & Sanitation Department		
Construction of 30 KL capacity OHSR/OHBR 12m staging column type		
Scale: Not to scale	sheet: 6 of 8	REV: 01



NOTE: THIS DRAWING
 SUPERSEDES THE
 EARLIER APPROVED
 DRAWING FOR 30KL
 OHSR ON 22.04.2017



BOTTOM REINFORCEMENT OF
 RING FOUNDATION
 SBC - 20t/m²

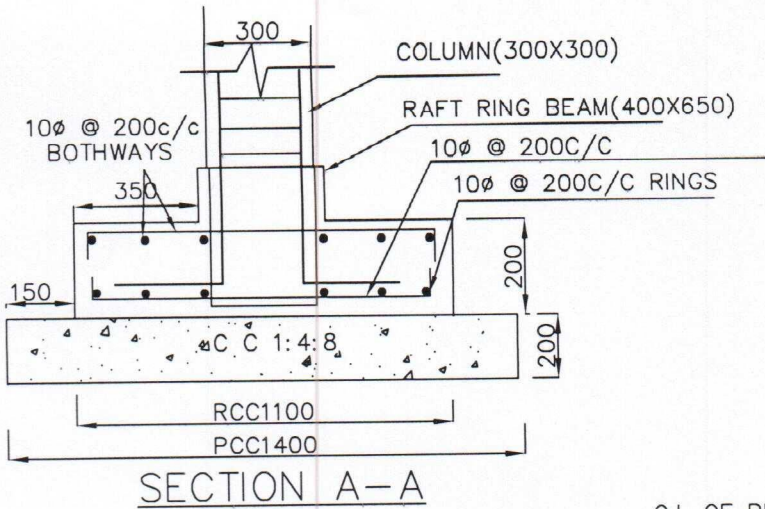


SECTION OF RING RAFT BEAM

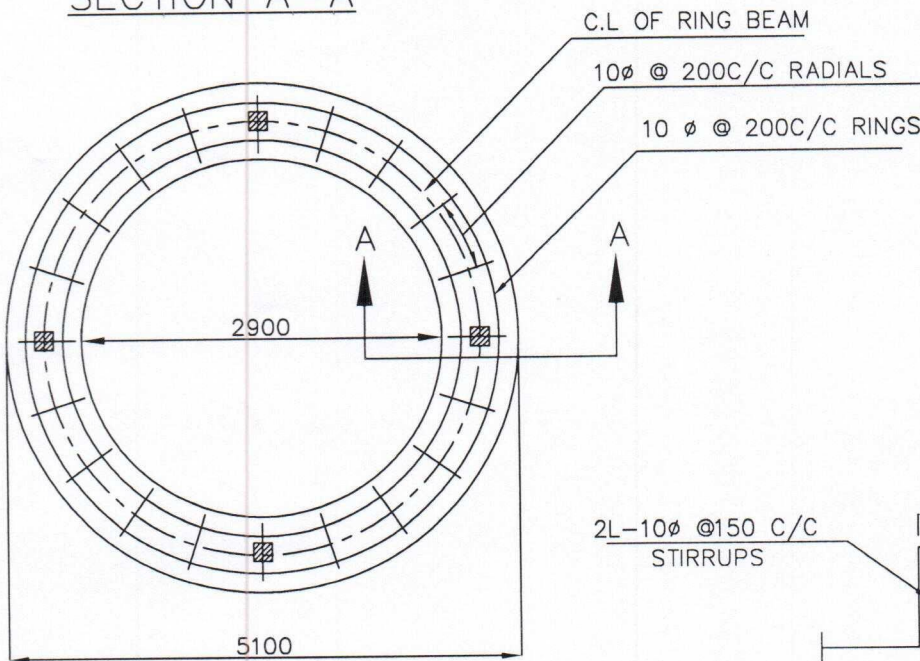
|| APPROVED ||

CE-I
 CE-II
 CE-III
 TDWSP, Hyderabad
 16/5
 16/5
 16/5
 16/5
 16/5
 16/5

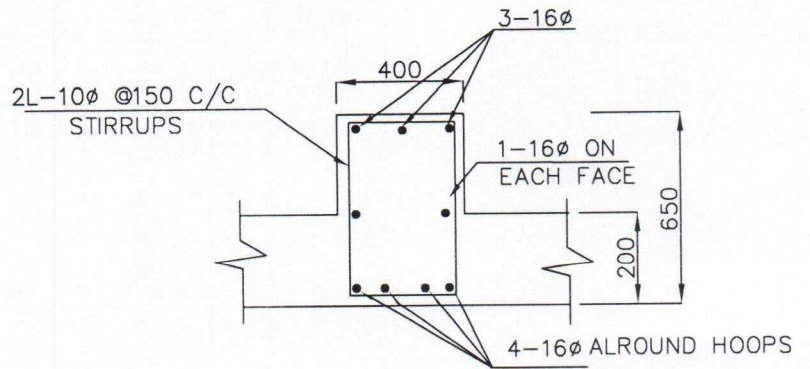
Government of Telangana	
Rural Water Supply & Sanitation Department	
Construction of 30 KL capacity OHSR/OHBR 12m staging column type	
Scale: Not to scale	Sheet: 7 of 8
	REV: 01



NOTE: THIS DRAWING
 SUPERSEDES THE
 EARLIER APPROVED
 DRAWING FOR 30KL
 OHSR ON 22-04-2017



BOTTOM REINFORCEMENT OF
RING FOUNDATION
SBC -30t/m²



SECTION OF RING RAFT BEAM

|| APPROVED ||

CE-I
 CE-II
 CE-III
 TDWSP, Hyderabad
 16/5
 16/5
 16/5
 16/5
 16/5
 16/5

Government of Telangana		
Rural Water Supply & Sanitation Department		
Construction of 30 KL capacity OHSR/OHBR 12m staging column type		
Scale: Not to scale	sheet: 8 of 8	REV: 01